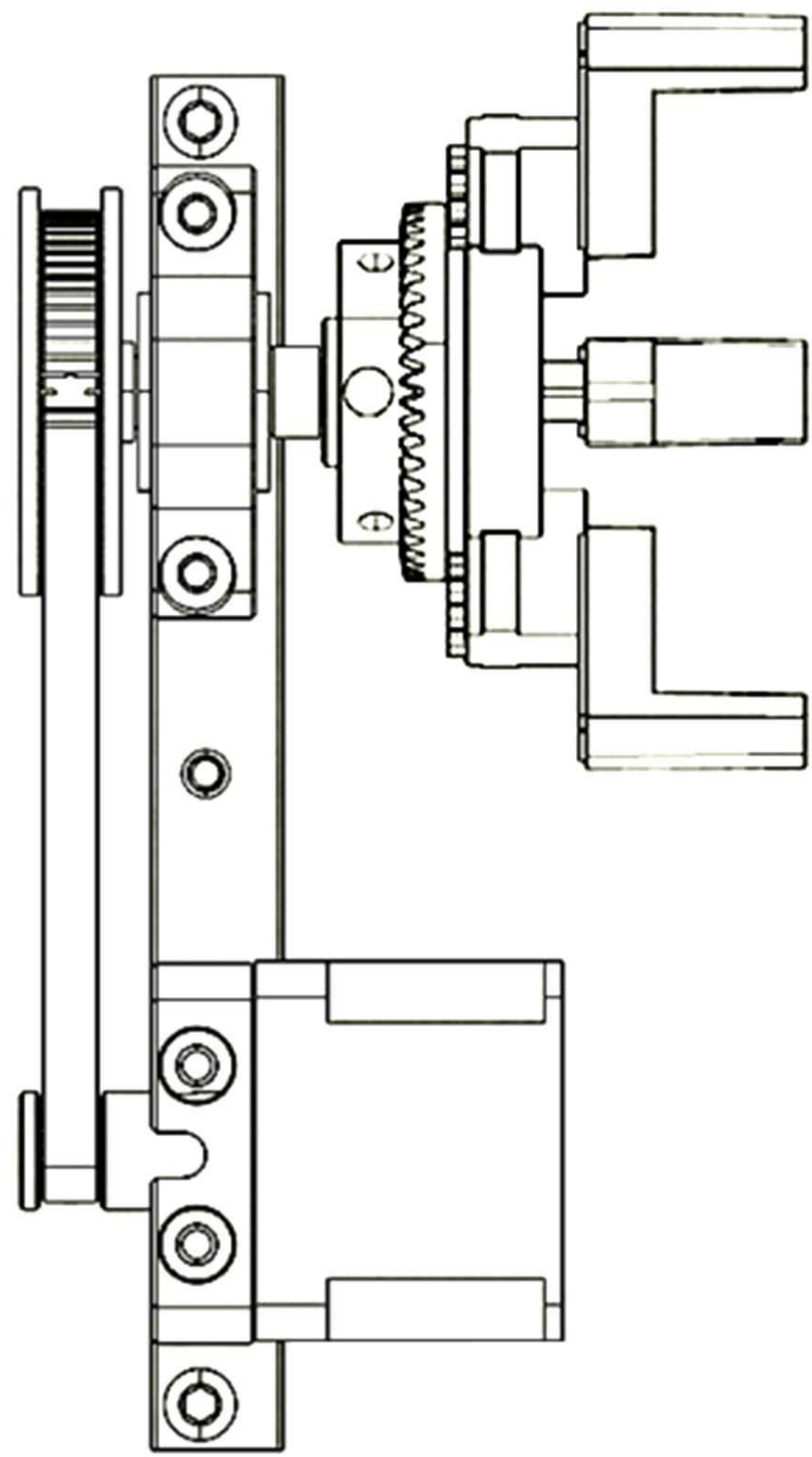
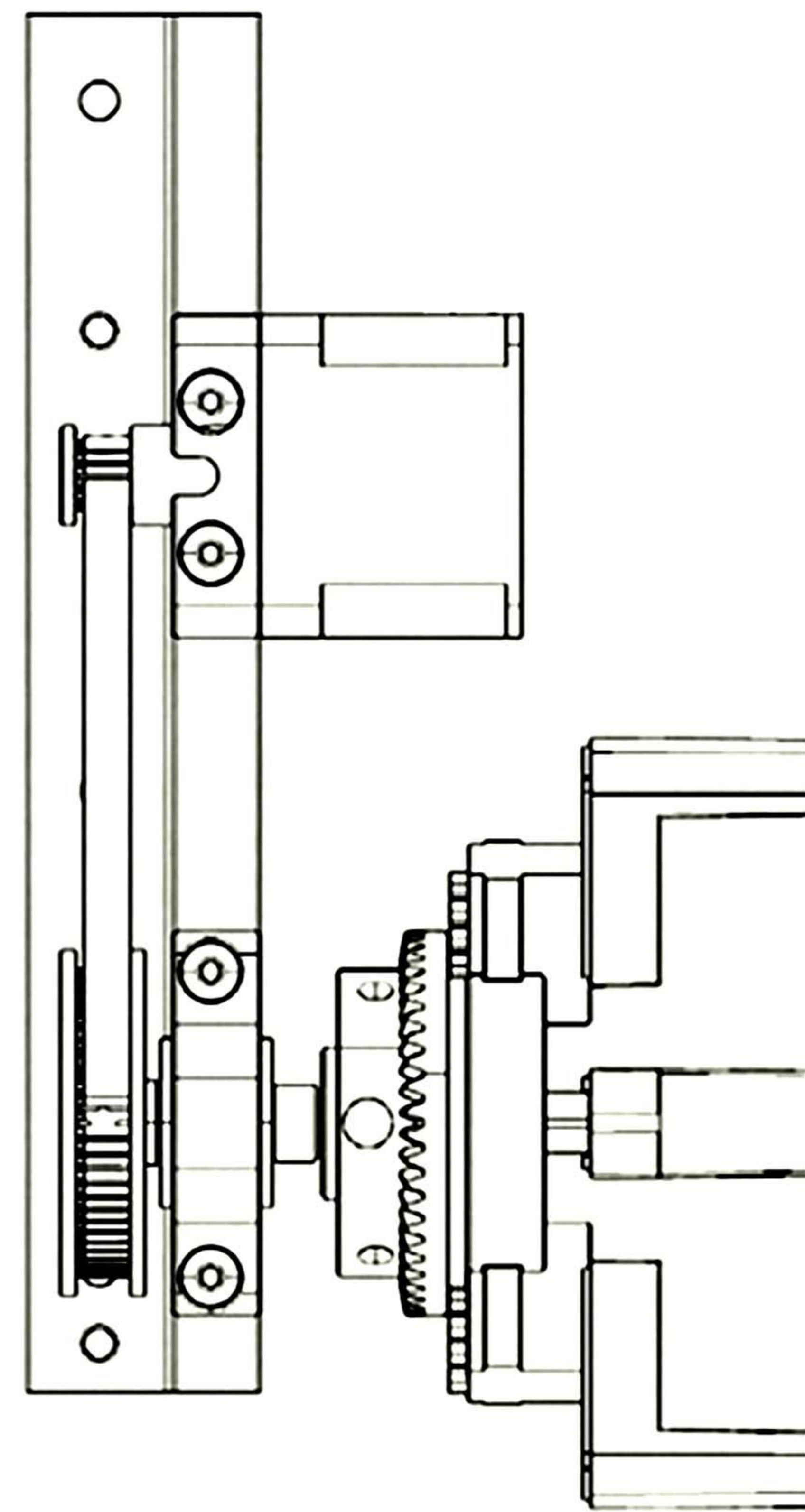


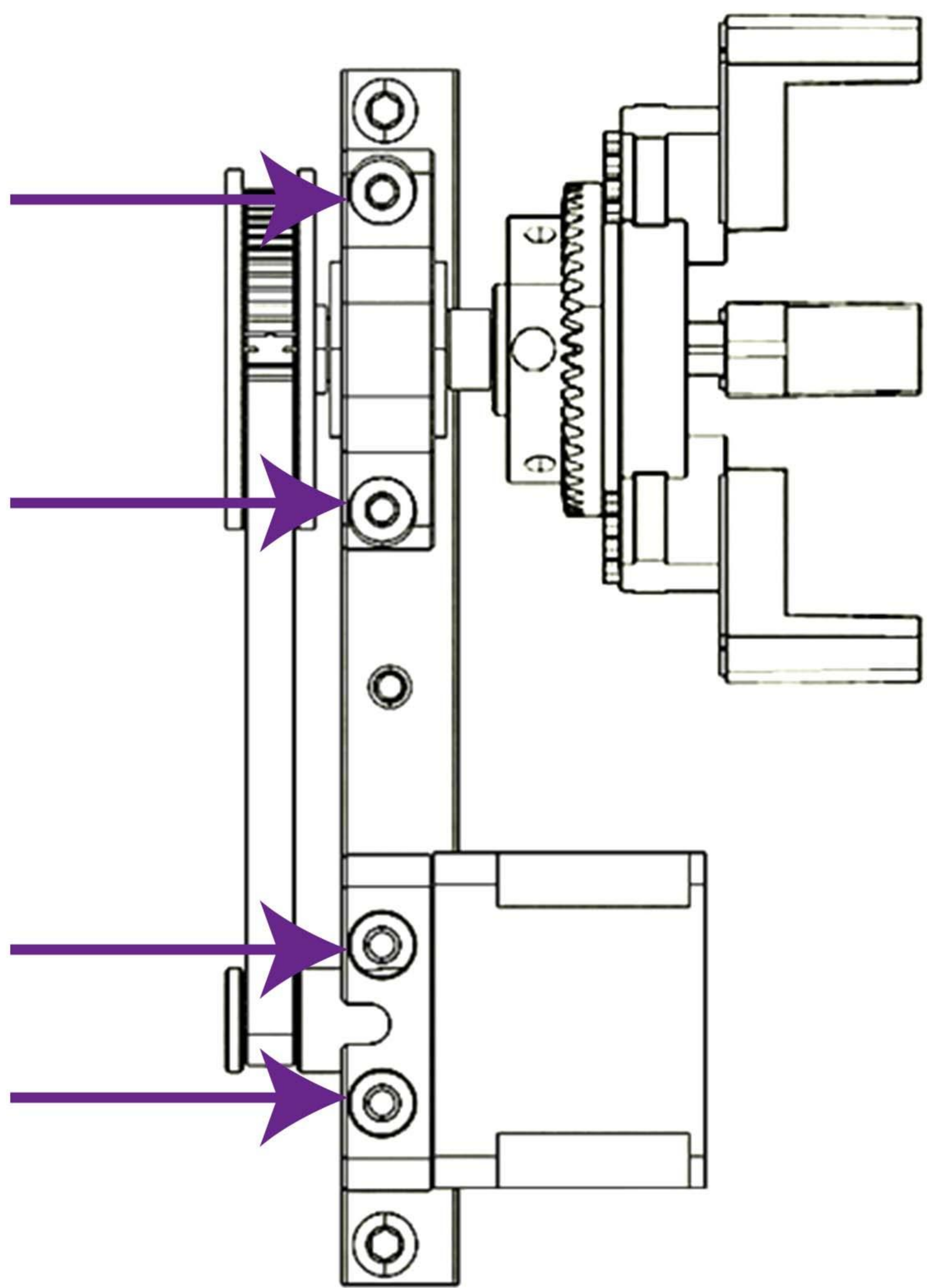
Vision Rotary



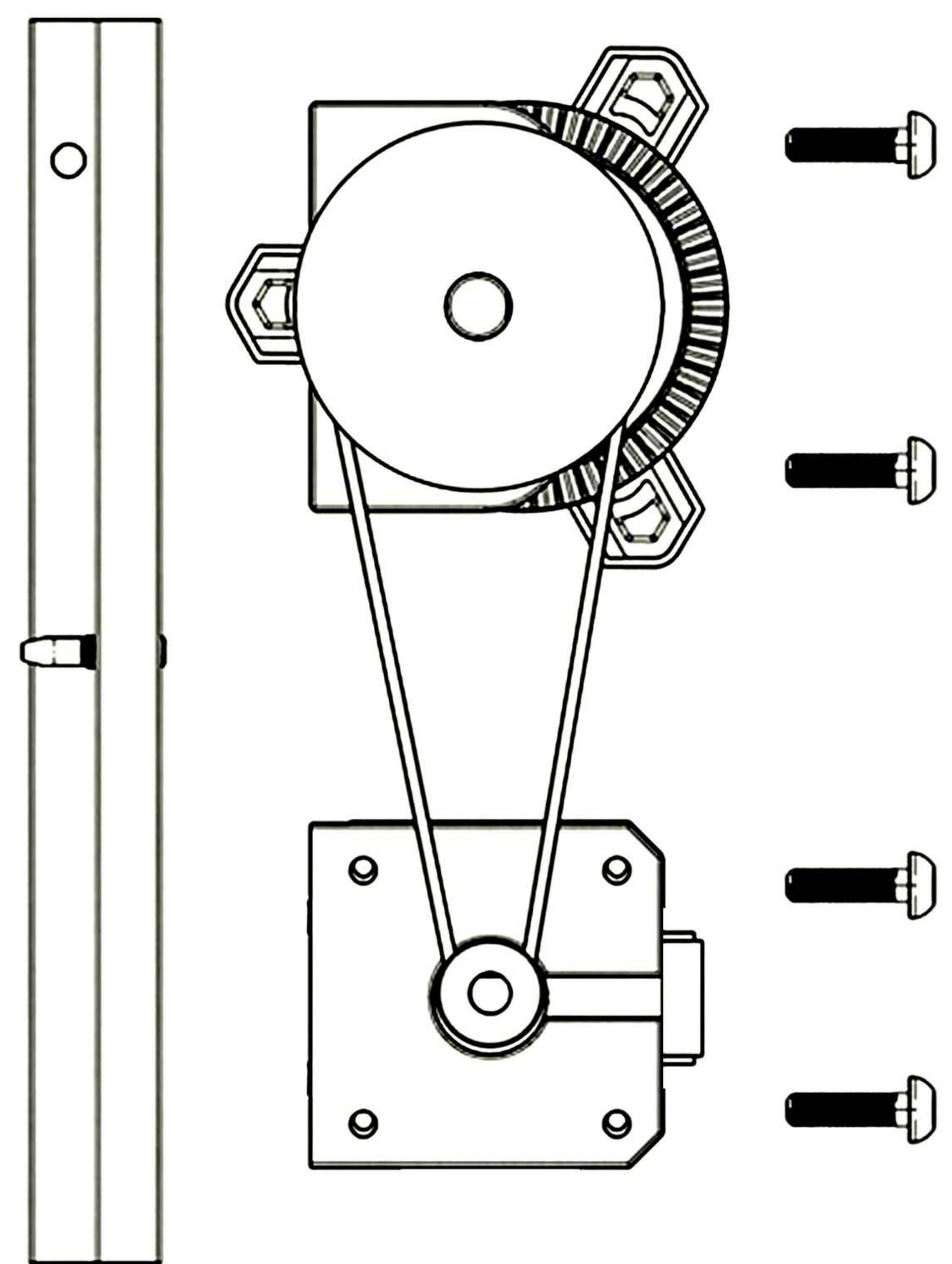
Vista Rotary



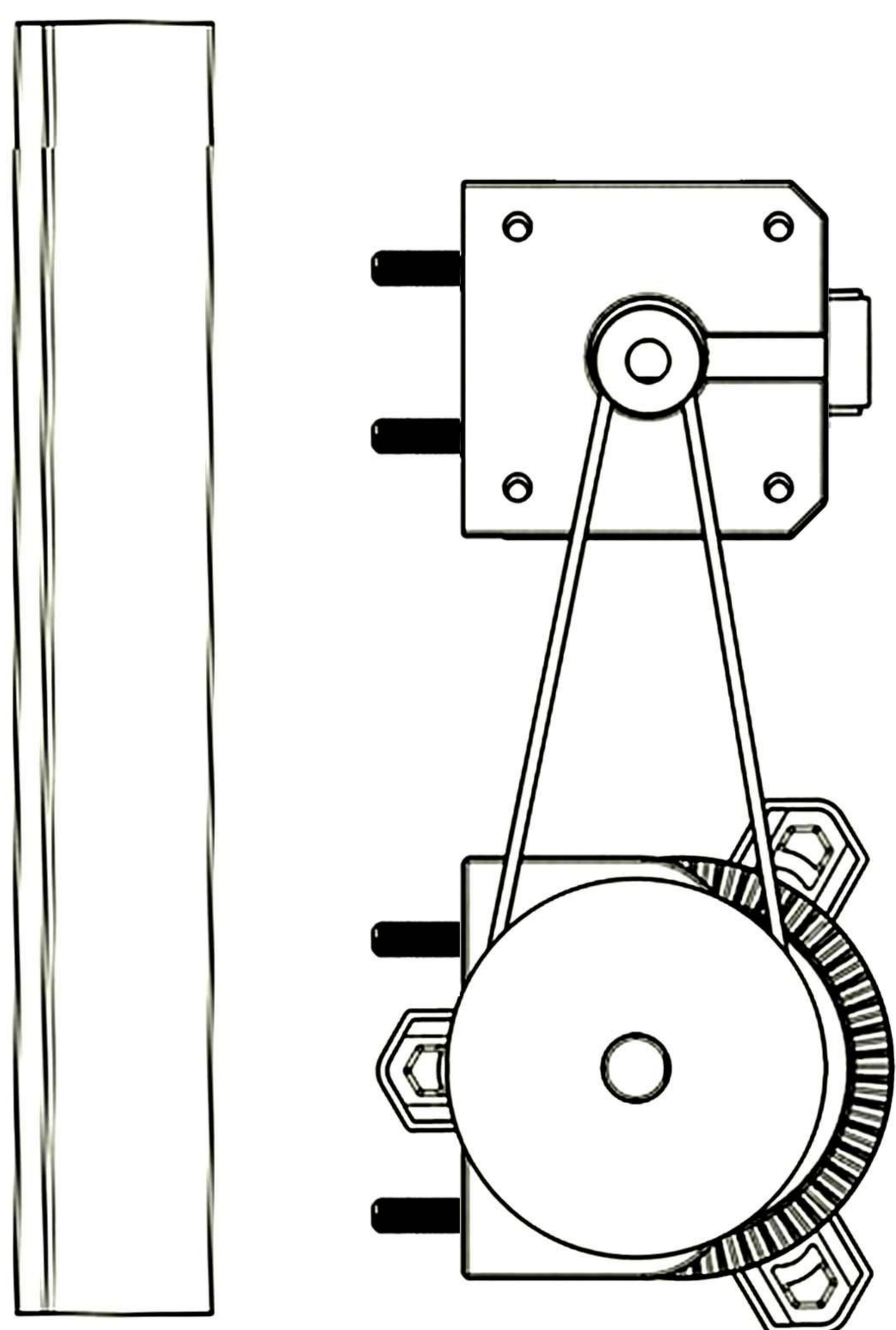
1 Locate the screws inside



2 Use screwdriver to remove screws



3 Switch positions of motor and workhead



(Vista Rotary Anchor Plate)

4 Align screw holes and secure firmly

